

www.dieci.com



**DIECI**



**Dieci S.r.l.**  
Via E. Majorana, 2-4  
42027 - Montecchio Emilia (RE) ITALY  
Tel. +39 0522 869611  
Fax +39 0522 869798  
E-mail: info@dieci.com

**HERCULES**



100.10

120.10

190.10

210.10

PERFORMANCE	100.10	120.10	190.10	210.10
Maximum capacity (kg)	10.000	12.000	19.000	21.000
Maximum lifting height (m)	9,50	9,50	10,20	10,20
Maximum horizontal outreach (m)	5,15	5,15	5,15	5,10
Outreach at maximum height (m)	0,60	0,60	0,30	0,20
Fork swivelling angle	144°	144°	120°	120°
Pull-out force (daN)	9.700	9.700	16.200	18.900
Towing force (daN)	11.000	11.000	13.000	21.000
Gradeability	39 %	39 %	35 %	35 %
Total weight empty (kg)	16.000	17.000	24.500	27.500
Max speed (km/h)	35	35	23	23*
Levelling	8°+8°	8°+8°	8°+8°	8°+8°

BOOM	100.10	120.10	190.10	210.10
<b>Times: empty / with a regenerative valve (in seconds)</b>				
Lifting	16,5	18,3	20,0/8,8	25,2/12,6
Descent	11,1	13,2	20,5	23,5
Extension	13,2	13,2	14,4	14,4
Retraction	8,3	8,3	8,7	8,7
Forward swivelling	5,3	5,3	5,6	8,1
Reverse swivelling	4,0	4,0	4,3	5,3

Patented compensation system

ENGINE	100.10 - 120.10	190.10 - 210.10
Model:	Iveco FPT	Iveco FPT
Maximum power kW (hp) @ rpm:	107(146) @ 2000	129(175) @ 2200
Revolutions per minute (rpm):	2200	2200
Operation:	4 stroke diesel	
Injection:	Common-Rail	Common-Rail
Anti-pollution regulation:	Stage 3A (Tier3)	Stage 3A (Tier3)
Number and arrangement of cylinders:	4, vertical in line	6, vertical in line
Engine size (cm³):	4485	4485
	Turbo compressor	
	Liquid cooling system	
	Air pre-heater for cold climates	

HYDRAULIC PLANT	100.10 120.10	190.10 210.10
Gear Pump (l/1' - bar):		53 - 200
Variable delivery pump (Load Sensing) (l/1' - bar):	160 - 300	170 - 350
Control valve with joystick:	4 in 1	4 in 1
Simultaneous movements:	3	3
Proportional control distributor "Load Sensing" with "Flow Sharing"		

Only on the following models: 210.10 - 190.10

Lifting with "Regenerative" system

## STANDARD DEVICES

ROPS-FOPS approval, Suspension on silent-blocks, soundproofing, front and rear wiper with washer, roof and openable rear glass, double-glaze door with opening top, adjustable seat, radio pre-arrangement, adjustable steering wheel (height and inclination).

Instrumentation: Load indicator with diagnostic functions, tachometer, coolant temperature gauge, fuel level indicator, engine oil and coolant temperature warning light, color LCD, digital speedometer, hour meter, clock.

Roll over protection system with movement stopping in case of overload, starting only with gear in neutral, running only with driver on board, automatic parking brake with the engine off, forks locking, leveling lock with boom raised, safety seatbelt, emergency stop, rear view mirror.

Only on the following models: 210.10 - 190.10

Pre-arrangement for lifting equipment

REFUELLING	100.10	120.10	190.10 210.10
Oil tank (lt)	246	246	300
Fuel tank (lt)	207	207	280

TYRES	100.10	120.10	190.10	210.10
Tyres	17.5 R25"	17.5 R25"	23.5 R25"	23.5 R25"
* Alternative			20.5 R25"	

## DIFFERENTIAL AXLES

Steering axles: 2, with 4 planetary reduction gears.

Type of steering: 4 wheels / transversal / 2 wheels

Front axle: with transverse leveling (8°+8°) with control in the cab. Rear axle: oscillating.

Service braking: Oil bath on the 4 wheels with double hydraulic system and servo brake

Parking braking: Negative actuation with electrical control

Only on the following models: 100.10 - 120.10

Self-locking front axle differential (limited slip 45%).

## TRANSMISSION

Type: Hydrostatic with variable displacement pump

Hydraulic motor: with continuous automatic adjustment

Reversing: Electro-hydraulic

Pedal inching control for controlled forward movement

Servocontrolled 2-speed gearbox.

Only on the following models: 210.10 - 190.10

Hydraulically lockable center differential (100%).

## OPTIONALS AND ACCESSORIES

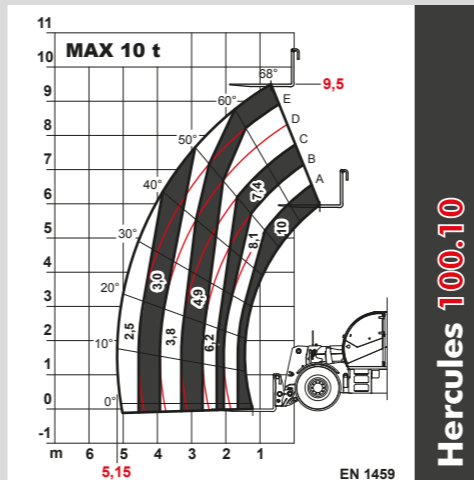
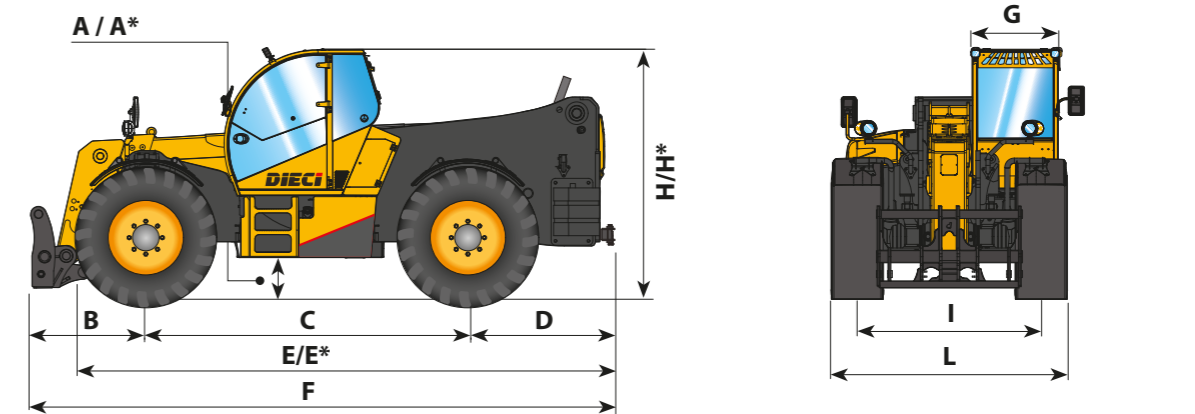
A/C; Water Heater; Driver's seat with pneumatic suspension; Light on boom head; Quick coupling for accessories; Radio; Anti-theft system; Glass protection. Led work lights.

(For additional customizations, contact the area dealer)

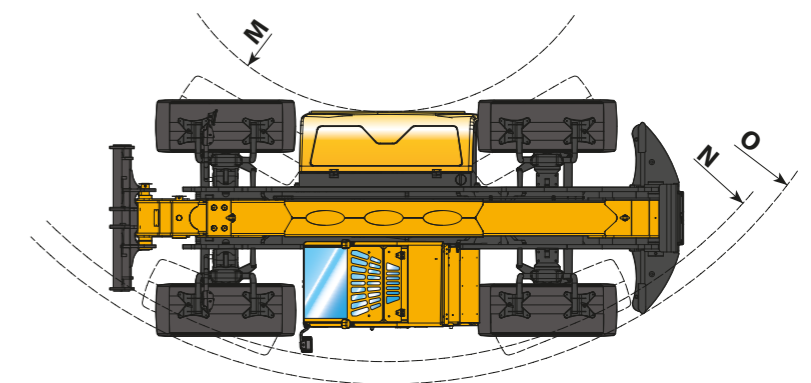
DIMENSIONS	100.10	120.10	190.10	210.10
A/A*	490	490	530/470*	530
B	1270	1270	1320	1320
C	3300	3300	3850	3850
D	1480	1480	1630	1630
E/E*	5460	5460	6290/6170*	6290
F	6050	6050	6800	6800
G	980	980	980	980
H/H*	2890	2890	2930	2930
I	1975	1975	2045/2015*	2045
L	2420	2420	2700/2590*	2700
M	1480	1480	3530	3530
N	4350	4350	6500/6445*	6500
O	4580	4850	6500	6500

Measurements expressed in millimetres

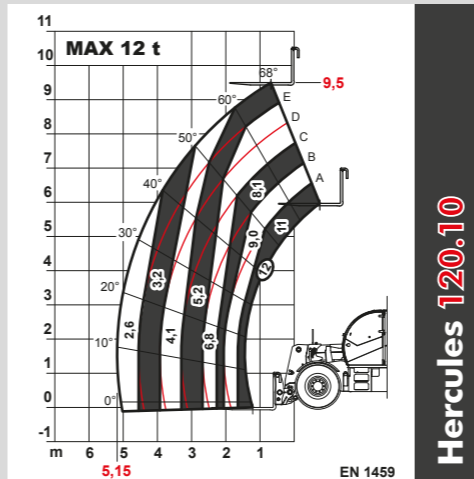
A\* - E\* - H\* = Measurements referring to optional wheels



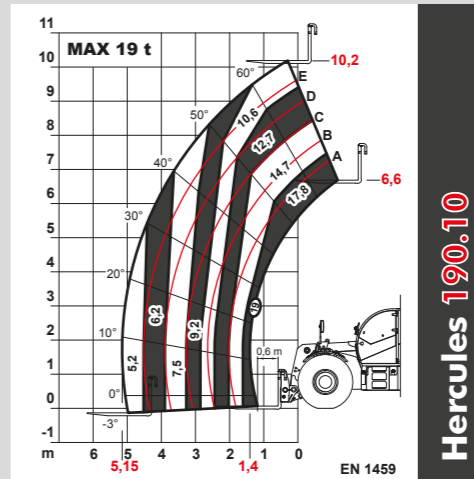
Hercules 100.10



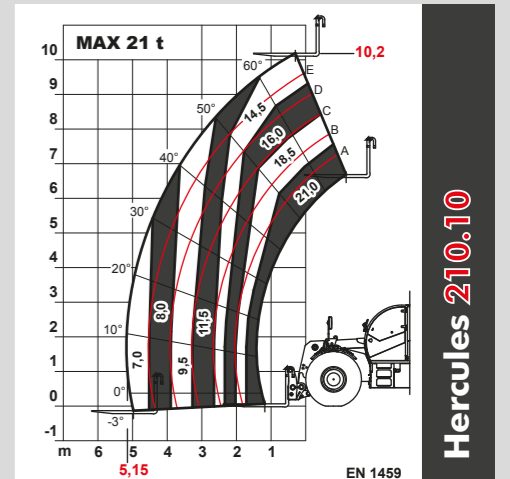
A\* - E\* - H\* = Measurements referring to optional wheels



Hercules 120.10



Hercules 190.10



Hercules 210.10